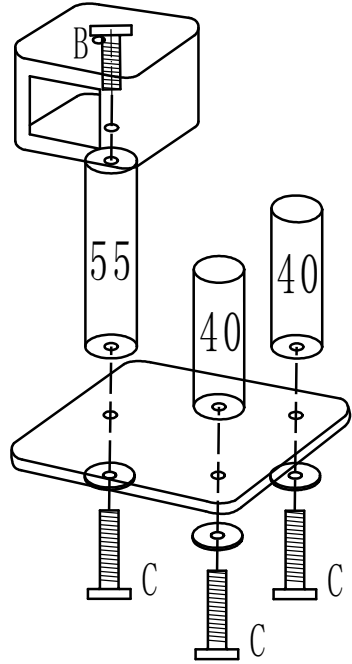
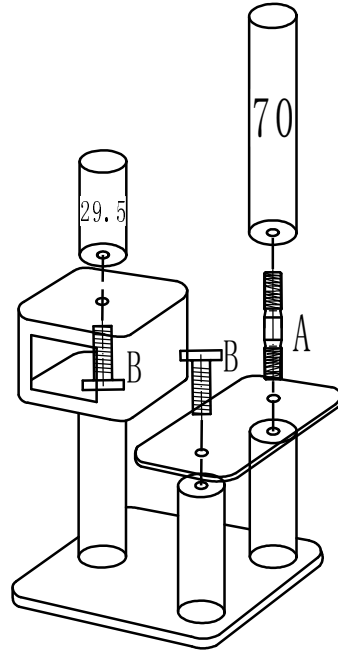


63731 Cat Tree Assembly Drawing

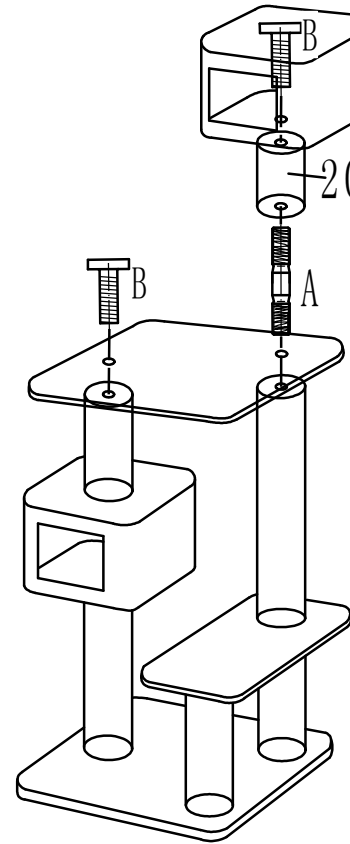
①



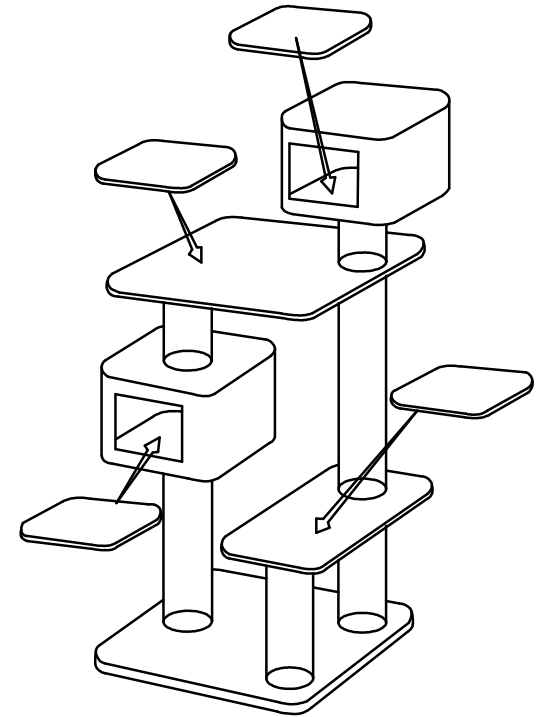
②

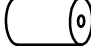

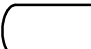
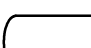
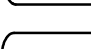



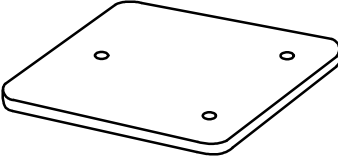

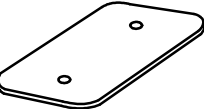
③

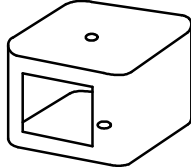
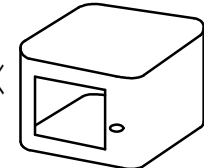


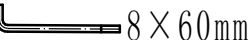

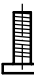
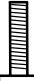
④



- 1 ×  $\text{Ø } 15 \times 20 \text{ cm}$
- 1 ×  $\text{Ø } 15 \times 29.5 \text{ cm}$
- 2 ×  $\text{Ø } 15 \times 40 \text{ cm}$
- 1 ×  $\text{Ø } 15 \times 55 \text{ cm}$
- 1 ×  $\text{Ø } 15 \times 70 \text{ cm}$
- 4 × 

- 1 ×  $70 \times 50 \times 4 \text{ cm}$
- 1 ×  $60 \times 40 \text{ cm}$
- 1 ×  $50 \times 35 \text{ cm}$

- 1 ×  $40 \times 40 \times 27 \text{ cm}$
- 1 ×  $40 \times 40 \times 27 \text{ cm}$

- 1 ×  $8 \times 60 \text{ mm}$
- 2 ×  $\text{Ø } 8 \times 70 \text{ mm}$ (A)
- (5+1) ×  $\text{Ø } 8 \times 40 \text{ mm}$ (B)
- 3 ×  $\text{Ø } 8 \times 60 \text{ mm}$ (C)
- 3 × 