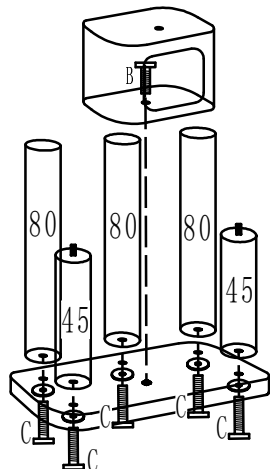
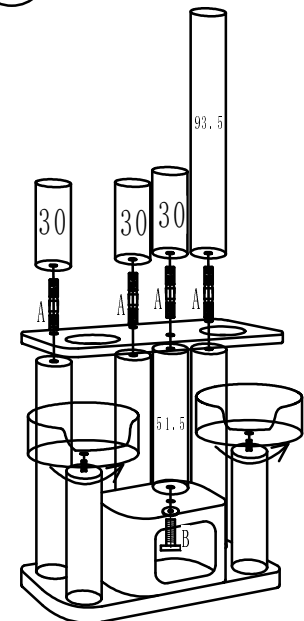




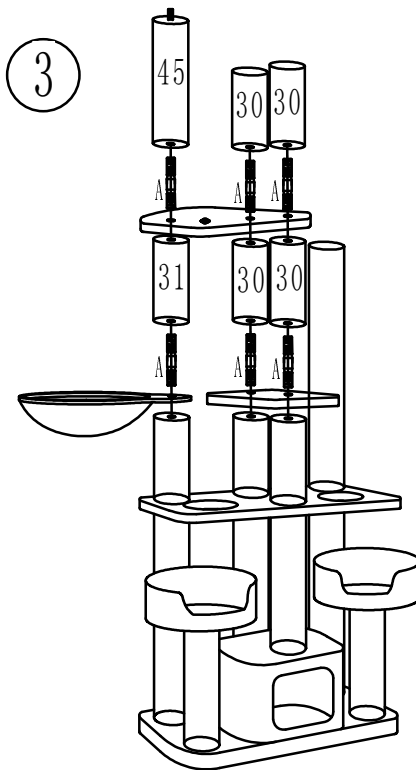
1



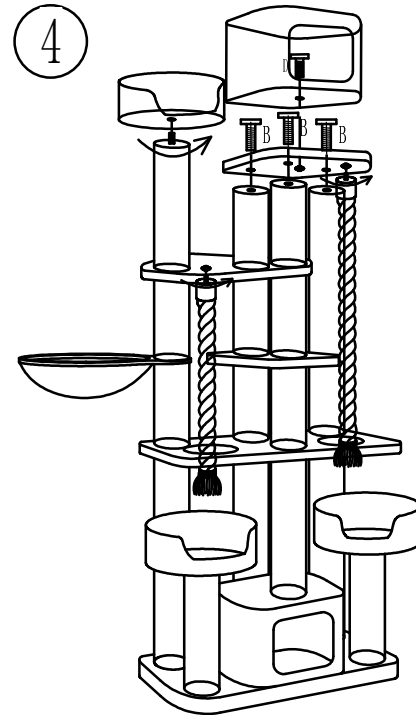
2



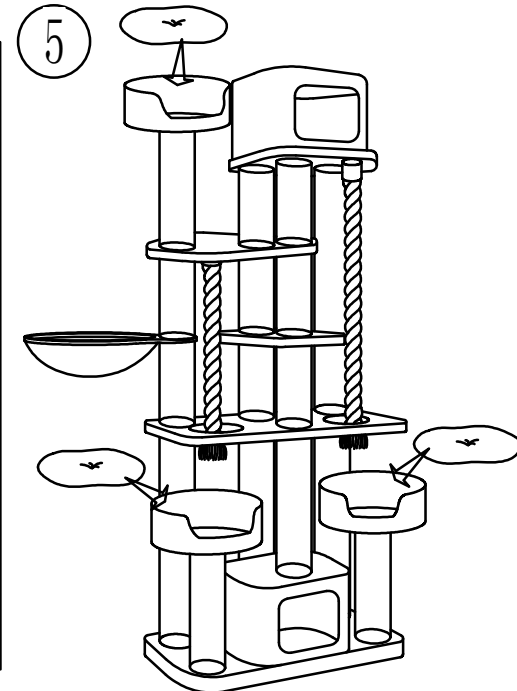
3



4



5



- | | | | | | | | | | |
|-----|--------------------|-----|--------------------|-----|---------------------|-----|------------------|----------|-----------------|
| 7 × | ∅ 11 × 30 cm 3/3 | 1 × | 80 × 50 × 4 cm 1/3 | 1 × | 40 × 40 × 28 cm 3/3 | 3 × | ∅ 35 cm 1-2/3 | 1 × | 8 × 60 mm 3/3 |
| 1 × | ∅ 11 × 31 cm 2/3 | 1 × | 80 × 50 cm 1/3 | 1 × | 40 × 40 × 28 cm 3/3 | 1 × | ∅ 45 cm 1/3 | (10+1) × | ∅ 8 × 80 mm (A) |
| 3 × | ∅ 11 × 45 cm 2/3 | 1 × | 50 × 50 cm 2/3 | 1 × | 40 × 40 × 28 cm 3/3 | 3 × | ∅ 32 cm 1-2/3 | (5+1) × | ∅ 8 × 40 mm (B) |
| 1 × | ∅ 11 × 51.5 cm 2/3 | 1 × | 50 × 50 cm 2/3 | 1 × | 40 × 40 × 28 cm 3/3 | 1 × | ∅ 32 cm 2-3/3 | (5+1) × | ∅ 8 × 60 mm (C) |
| 3 × | ∅ 11 × 80 cm 1/3 | 1 × | 50 × 35 cm 2/3 | 1 × | ∅ 5 × 60 cm 3/3 | 1 × | ∅ 5 × 100 cm 3/3 | 1 × | ∅ 8 × 35 mm (D) |
| 1 × | ∅ 11 × 93.5 cm 1/3 | | | 1 × | | 6 × | | 6 × | |