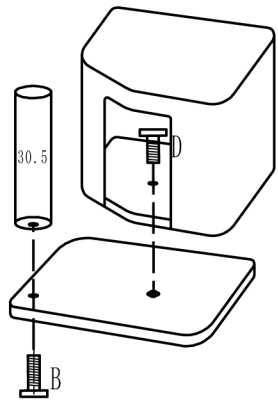
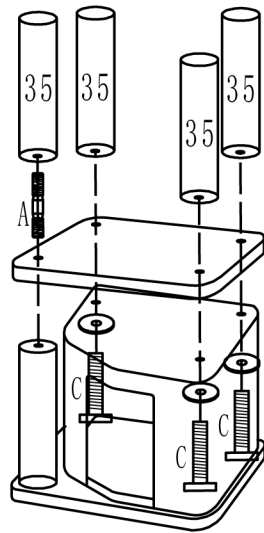


63769-28 Cat Tree Assembly Drawing

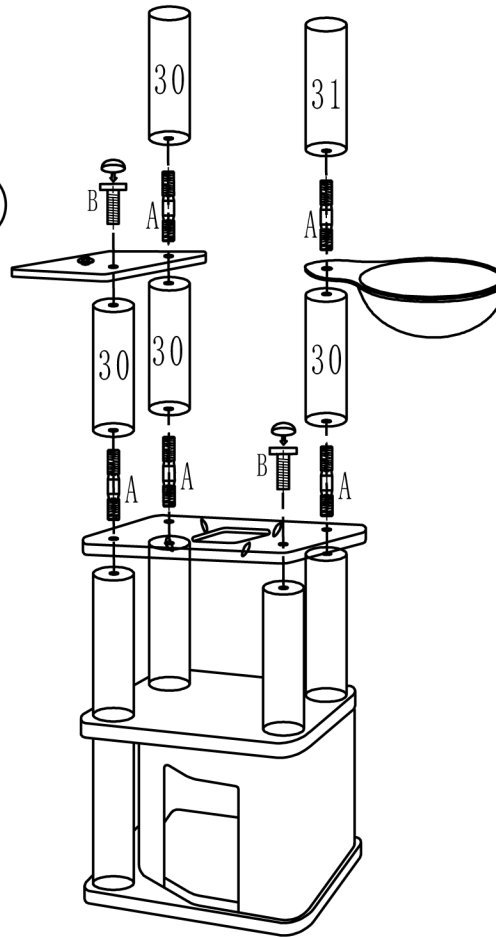
1



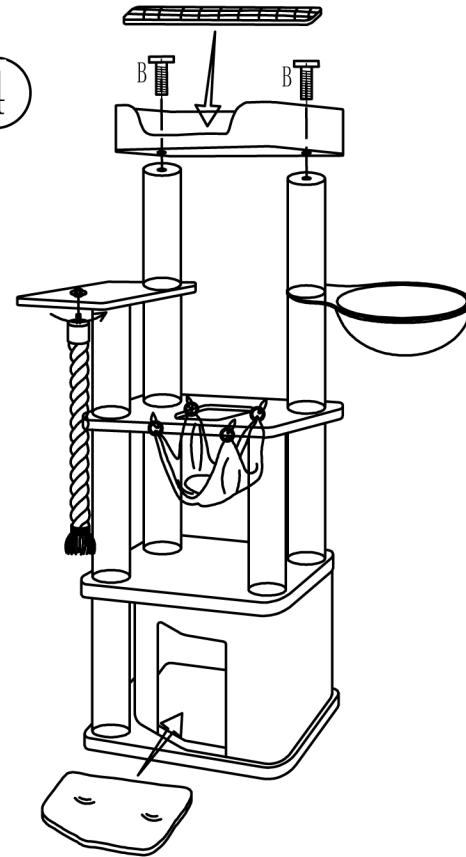
2

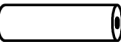
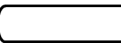
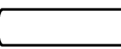
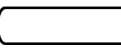

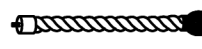







3

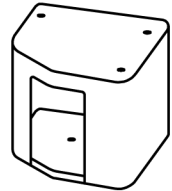





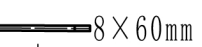

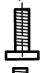



4



- 4 ×  $\varnothing 9 \times 30 \text{ cm}$
- 1 ×  $\varnothing 9 \times 30.5 \text{ cm}$
- 1 ×  $\varnothing 9 \times 31 \text{ cm}$
- 4 ×  $\varnothing 9 \times 35 \text{ cm}$
- 1 ×  $\varnothing 40 \text{ cm}$
- 1 ×  $\varnothing 5 \times 60 \text{ cm}$

- 1 ×  $50 \times 50 \text{ cm}$
- 1 ×  $50 \times 50 \text{ cm}$
- 1 ×  $50 \times 50 \text{ cm}$
- 1 ×  $50 \times 35 \text{ cm}$
- 1 ×  $36 \times 36 \text{ cm}$

- 1 ×  $45 \times 45 \times 30.5 \text{ cm}$
- 1 ×  $50 \times 50 \times 10 \text{ cm}$
- 1 ×  $46 \times 46 \text{ cm}$
- 1 ×  $43 \times 43 \text{ cm}$

- 1 ×  $8 \times 60 \text{ mm}$
- (6+1) ×  $\varnothing 8 \times 80 \text{ mm (A)}$
- (5+1) ×  $\varnothing 8 \times 40 \text{ mm (B)}$
- 3 ×  $\varnothing 8 \times 60 \text{ mm (C)}$
- 1 ×  $\varnothing 8 \times 30 \text{ mm (D)}$
- 3 × 
- 2 × 